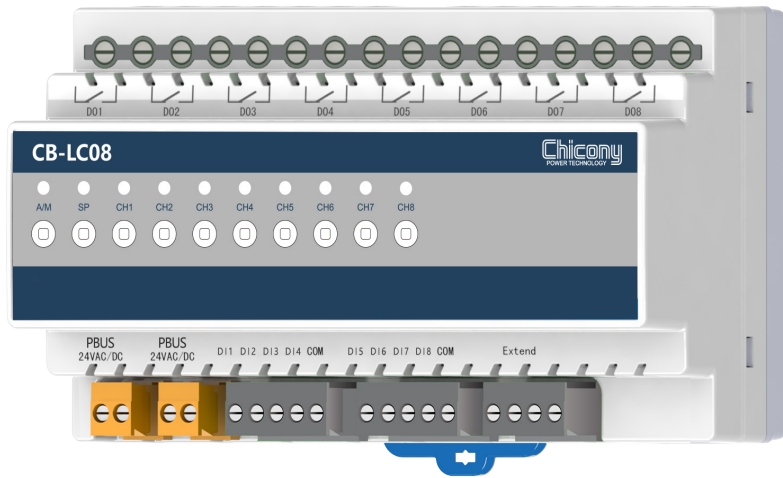


CB-LC08

Relay Control Module



CB-LC08 is one of the relay control modules in the CB series which is widely used in the electromechanical equipment control field such as intelligent lighting and security alarm. It is equipped with functions of 8 digital input channels and 8 relay output channels; the digital input can receive signals of switches, alarm devices, and infrared sensors, etc. The relay output can control the switch circuit of the lighting, electric machinery, and alarms.

Product Model Table

Model	Power	Digital input	Relay output	Manual function	Pyxos	Consumption
CB-LC08	P bus link power supply	8	8	Yes	1	25mA@24V

Technical Parameters

No.	Item	Parameter	No.	Item	Parameter
1	Consumption	25mA@24V	6	Storage temperature and humidity	Normal temperature and 0%-95%RH without condensation
2	Power	P bus link power supply	7	Dimensions	166mm(W) x 95mm(H) x 64mm(D)
3	Relay output	250VAC/16A single-way latching relay output with manual machinery switch	8	Material of cover	ABS engineering plastic
4	Digital input	8 Channels for the passive dry contact	9	Installation method	35mm standard DIN-rail mounting
5	Operating temperature	-10 to 50 °C			

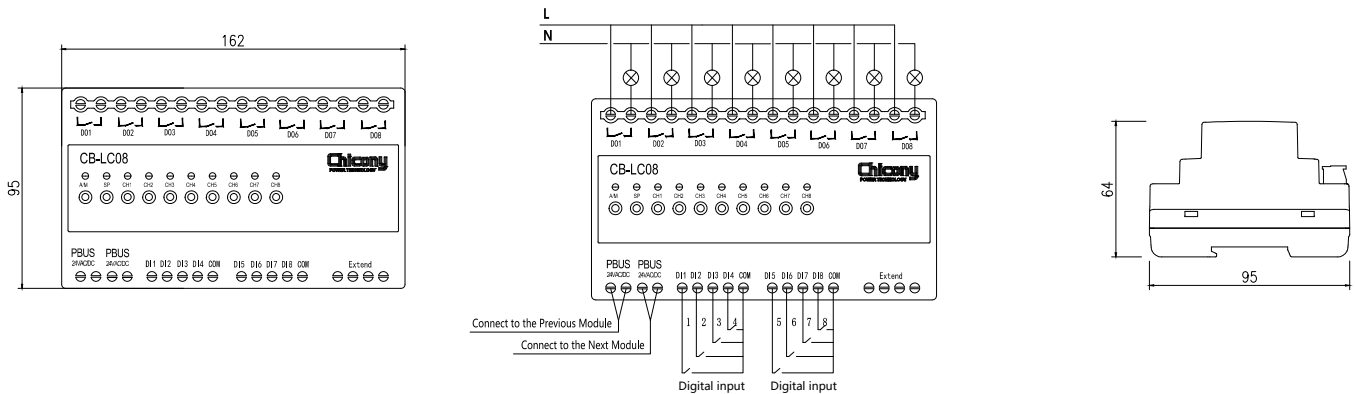
Installation Description

Please follow the instructions defining the terminal block pins on the equipment cover for wiring. The definition of the terminal block pins is shown in the following table. Please disconnect the circuit to prevent electric shock before wiring. Check whether the power supply is within the range of the required voltage before supplying the power for the equipment. The power supply shall not exceed this range, otherwise the module may burn. The installation and placement of the relay control module shall avoid direct exposure of sunlight and be protected against moisture and rain.

CB-LC12 Wiring Pin Definition Table

Name	Marking	Description
Digital input	DI1 to DI8	1 to 8 Channels for digital input
	COM	Public port for digital input
Relay output	DO1 to DO8	1 to 8 Channels of relay output
PBUS	24VAC/DC	Pyxos bus port

Dimensions and Wiring Diagram



Description of equipment indicator

1. A/M: For the manual and automatic indicator, red means the automatic status and green means the manual status. Press for 5 seconds to switch the status; the energization is in automatic status by default.
2. SP: This is the button indicator of the pin and the button below is used to acquire the address of the module.
3. CH1 to CH8: These are the 8 channels of indicators for the relay status and the button below is for manual control.