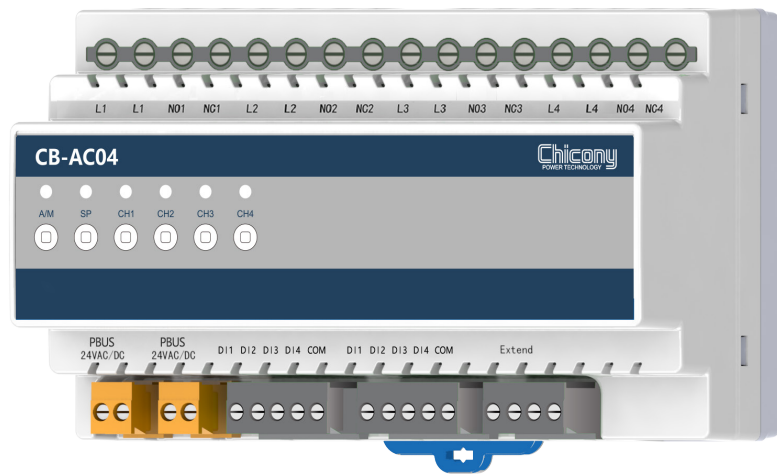


CB-AC04

Relay Control Module



CB-AC04 is one of the relay control modules in the CB series which is widely used in the electromechanical equipment control field such as intelligent lighting, security alarms, and electric curtain. It is equipped with functions of 4 digital input channels, 4 relay output channels, and 4 current detection channels; the digital input can receive signals of switches, alarm devices, and infrared sensors, etc. The relay output can control the circuit switches of the lighting, electric machinery, and alarm. Each circuit of the relay output is equipped with current detection function.

Product Model Table

Model	Power	Digital input	Relay output	Current Detection	Manual Function	Pyxos	Consumption
CB-AC04	P bus link power supply	4	4	4	Yes	1	40mA@24V

Technical Parameters

No.	Item	Parameter	No.	Item	Parameter
1	Consumption	40mA@24V	6	Operating temperature	-10 to 50 °C
2	Power	P bus link power supply	7	Storage temperature and humidity	Normal temperature and 0%-95%RH without condensation
3	Relay output	250VAC/16A Single-way latching relay output with manual machinery switch	8	Dimensions	162mm(W) x 95mm(H) x 64mm(D)
4	Digital input	4 Channels for the passive dry contact	9	Material of cover	ABS engineering plastic
5	Current detection	4 Channels of current detection	10	Installation method	35mm standard DIN-rail mounting

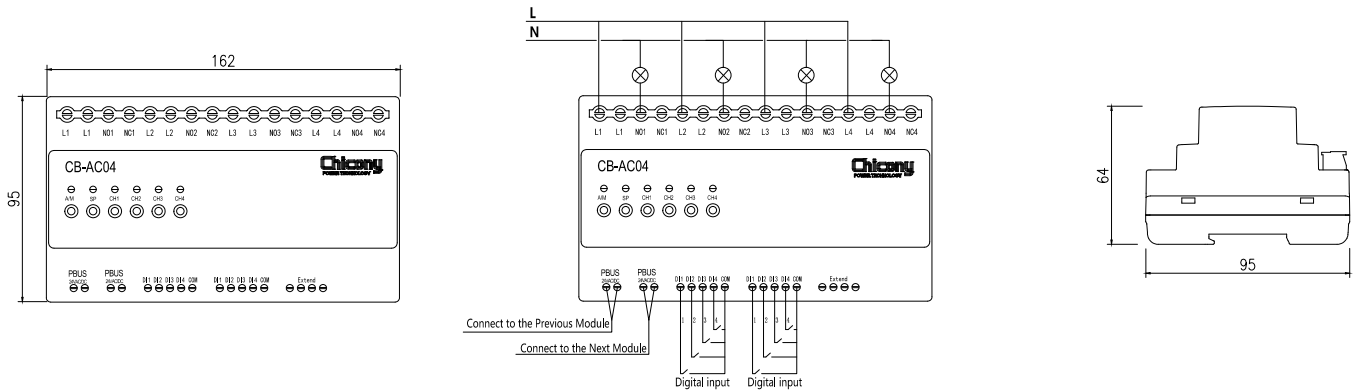
Installation Description

Please follow the instructions defining the terminal block pins on the equipment cover for wiring. The definition of the terminal block pins is shown in the following table. Please disconnect the circuit to prevent electric shock before wiring. Check whether the power supply is within the range of the required voltage before supplying the power for the equipment. The power supply shall not exceed this range, otherwise the module may burn. The installation and placement of the relay control module shall avoid direct exposure of sunlight and be protected against moisture and rain.

CB-AC04 Wiring Pin Definition Table

Name	Marking	Description
Digital input	DI1 - DI4	1 - 4 Channels for digital input
	COM	Public port for digital input
Relay output	NO1 - NO4	1 - 4 Channels of relay output
PBUS	24VAC/DC	Pyxos bus port

Dimensions and Wiring Diagram



Description of equipment indicator

- A/M:** For the manual and automatic indicator, red means the automatic status and green means the manual status. Press for 5 seconds to switch the status; the energization is in automatic status by default.
- SP:** This is the button indicator of the pin and the button below is used to acquire the address of the module.
- I1-4:** 4 channels of current status indicators:

 - Load is connected, the relay is on and indicator remains on;
 - Load is connected, the relay is off and the indicator goes off;
- Buttons below CH1-CH4 is for manual control of the circuit breaker.

Relay status indicator above CH1-CH4:

Normal Working Status

 - The relay is on and indicator remains on.
 - The relay is off and the indicator goes off.

Abnormal Working Status

 - The relay is on and the indicator flashes quickly;