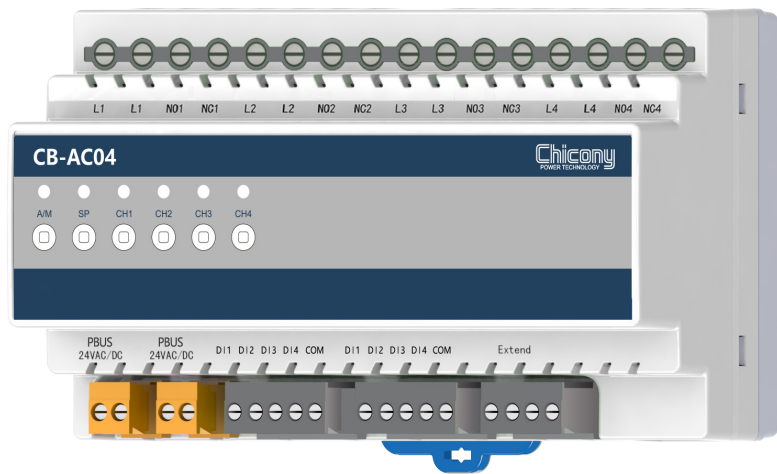


GW-EC11

Smart Lighting Controller



GW-EC11 is one of the smart lighting controllers in the GW series which is widely used in the electromechanical equipment control field of the intelligent lighting system. It is equipped with the functions of 2 Pyxos bus channel (abbreviated as PBUS), 2 RS485 channels, 1 RS485/RS232 channel, and 8 channels for the digital input with optical isolation; the digital input can receive signals of switches, alarm devices, and infrared sensors, etc.

Product Model Table

Model	Power	Digital input	RS485	RS485/RS232	Ethernet	Pyxos	Consumption
GW-EC11	24VAC/DC	8	2	1	1	2	70mA@24V

Technical Parameters

No.	Item	Parameter	No.	Item	Parameter
1	Power	24VAC/DC	8	Operating temperature	-10 to 50°C
2	Consumption	70mA@24V	9	Storage temperature and humidity	Normal temperature and 0%-95%RH without condensation
3	Pyxos bus	2 Channels	10	Dimensions	162mm(W) x 95mm(H) x 64mm(D)
4	COM serial port baud	1200 to 115200bps	11	Material of cover	ABS fireproof engineering plastic
5	Communication serial port	2xRS485+ 1xRS485/RS232	12	Installation method	35mm standard DIN-rail mounting
6	Ethernet	10/100M			
7	Digital input	8 Channels for passive dry contact with optical isolation			

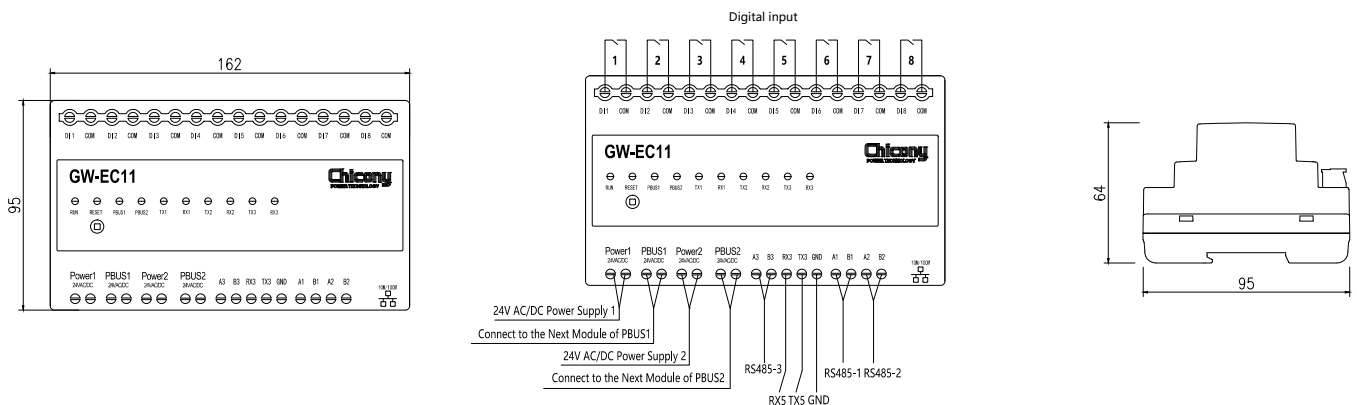
Installation Description

Please follow the instructions defining the terminal block pins on the equipment cover for wiring. The definition of the terminal block pins is shown in the following table. Please disconnect the circuit to prevent electric shock before wiring. Check whether the power supply is within the range of the required voltage before supplying the power for the equipment. The power supply shall not exceed this range, otherwise the module may burn. The installation and placement of the smart lighting controller shall avoid direct exposure of sunlight and be protected against moisture and rain.

GW-EC11 Wiring Pin Definition Table

Name	Marking	Description	Name	Marking	Description
Power1	24VAC/DC	AC/DC 24V Power terminals	RS485-3/ RS232	A3	COM3 Communication interface RS485 positive terminal
PBUS1	24VAC/DC	Pyxos bus port		B3	COM3 Communication interface RS485 negative terminal
Power2	24VAC/DC	AC/DC 24V Power terminals		RX3	1 Channel for RS232 communication interface RXD terminal
PBUS2	24VAC/DC	Pyxos bus port		TX3	1 Channel for RS232 communication interface TXD terminal
Digital input	DI1 to DI8	1-8 Channels for digital input	Ethernet	GND	1 Channel for RS232 communication interface G terminal
	COM	Public port for digital input		RJ45	10/100 M Network interface
RS485-1	A1	COM1 Communication interface RS485 positive terminal			
	B1	COM1 Communication interface RS485 negative terminal			
RS485-2	A2	COM2 Communication interface RS485 positive terminal			
	B2	COM2 Communication interface RS485 negative terminal			

Dimensions and Wiring Diagram



Equipment Default Parameters

IP Address	192.168.0.250
Service Port	502
Subnet Mask	255.255.255.0
Gateway Address	192.168.0.1
RS485 Address	1
RS485 Communication Serial Port	9600bps, 8-1-N